



GENERAL

- YARD NAME CanalConstruction
- FLAG Egypt
- HULL MATERIAL Aluminum
- SUPERSTRUCTURE Aluminum
- BASIC FUNCTIONS Pilot duties
- CLASSIFICATION BV

DIMENSIONS

- LENGTH O.A. 14 m
- BEAM O.A. 4.5 m
- DRAUGHT AFT 1.3 m

TANK CAPACITIES

- FUEL OIL 2000 Liters
- FRESH WATER 100 Liters

PERFORMANCES (TRIALS)

- SPEED 20.00 kn

PROPULSION SYSTEM

- MAIN ENGINES 2x Cummins
- TOTAL POWER 425 kw
- GEARBOXES ZF
- PROPELLERS Fixed -pitch propellers

ELECTRICAL EQUIPMENT

- BATTERY SETS 24V DC
- SHORE CONNECTION 400 V AC / 50 m cable
- BATTERY CHARGER 24V 200 AH
- GENERATOR SET perkins 20 kw

LIFE SAVING EQUIPMENT

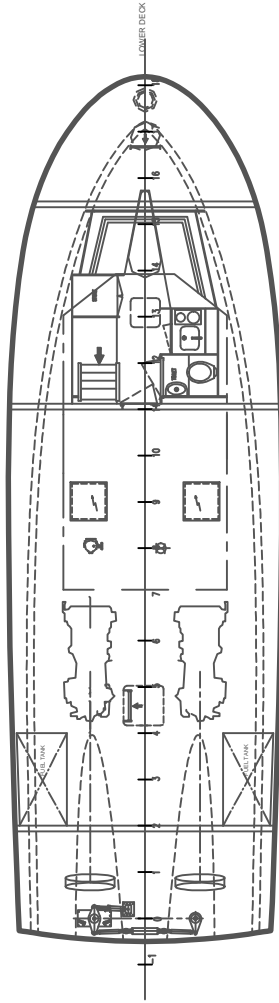
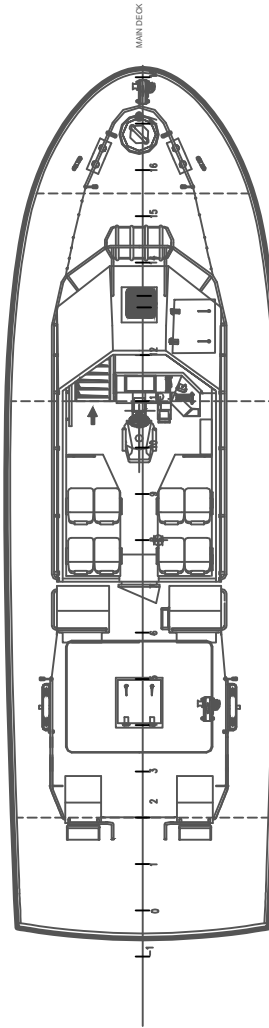
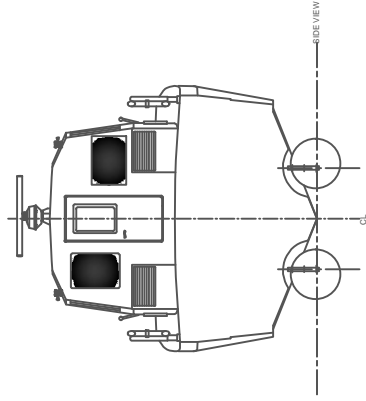
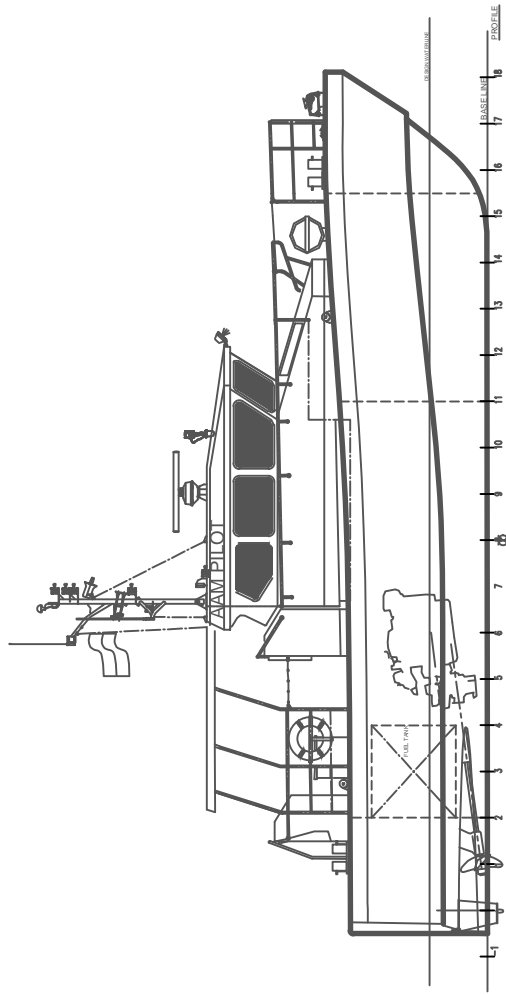
- LIFE JACKETS 7
- LIFE RAFTS 2 x RFD 7 persons
- LIFE BUOYS 2
- FIRE EXTINGUISHERS 1 x 6 kg dry powder 1x9 l foam

ACCOMMODATION

- WHEELHOUSE 2 + 4 seats
- BELOW MAIN DECK Settee/bunk, galley, storage, sanitary space
- AIR-CONDITIONING Provided in wheelhouse and accommodation

NAUTICAL AND COMMUNICATION EQUIPMENT

- RADAR Furuno, 1832
- SEARCHLIGHT 24 V 250 W
- VHF Sailor RT 2048
- MAGNETIC COMPASS Ritchie, HB 71
- ECHO SOUNDER Raytheon, ST6 0
- GPS Furuno, GP -32 GPS



CLASS NOTATION : **HELL-MACHINERY**
 14.9M-PILOT-BOAT
 SEAWAY 2.0%


MAIN DIMENSIONS:

FULL LENGTH	14.93 m
LBP	13.37 m
DESIGN WATER LINE LENGTH	13.76 m
BREASTHOLD	4.56 m
BREASTHOLD HEIGHT	2.48 m
TOTAL BOAT HEIGHT	6.82 m
WATER LINE DESIGN HZ 85% MCR	20.0 Km
CRUDE OIL (V=10m)	300 mm
FRAME SPACING	500 mm
FAN	600 mm
GENERATOR	100 KVA
	1000 RPM

CONSTRUCTIONS MATERIAL:

TYPE CAPACITY	ALUMINIUM
DIESEL FUEL (2 TANK)	300 LITRE
FRESH WATER	100 LITRE
NO OF PASSENGER PERSONAL	6
	1

REVISION	DESCRIPTION
C	
B	
A	


AAM
 Amsterdam Alexandria Maritime

14.9M-PILOT-BOAT
 Title : **GENERAL-ARRANGEMENT**
 Scale: Drawn: Size: REV: Date: PROJ.No: **AAM201305**
 1:20 A. Hinkel A.0 16-12-2013 Dwg.No: **AAM20135-001**
 YARD.No:

Jacobs Spijler dreef 196
 2132 ZZ IJooddorp
 The Netherlands
 Tel. +31(0)23-3547310

This drawing is protected by copyright and property of the designers. No part whatsoever may be copied, reproduced, modified or stored in any manner without permission.